



1DERFUL™

ZIRCONIA DISCS

1DERFULTM
DENTAL ZIRCONIA DISCS CATALOGUE



INTRODUCTION

SKY DENT Corp. is one of the fast-growing companies in the dental trading industry, based in the heart of the world's business capital city NEW YORK.

SKY DENT Corp. was founded in **2010** by a dentist, pharmacist, and investors in the USA with a focus on providing high-quality products that make the dentist's job easier and better for the patient.

SKY DENT Corp. started with Endodontic instruments and has expanded its product offerings over the years to better serve its customers.

In **2015**, SKY DENT Corp. started a new journey in the lone star state and continued to supply its top-quality products.

In **2019**, SKY DENT Corp has taken the challenge of entering the field of manufacturing dental zircon discs and working hard during the pandemic time of COVID-19 in a commitment to innovation and growth to achieve the dream of being a dental manufacturer besides dental trading and announcing officially our trademark **1DERFUL™**.






And today, we're glad to bring you our US-made 1DERFUL ZIRCONIA DISC to enrich your dental lab working experience with our hig-level discs.

We guaranteed to our clients providing them with our products which are RELIABLE, AFFORDABLE & UNBEATABLE.

We are confident that once you have tried SKY Dent's extensive range of products, you will be 100% delighted with their superior performance and truly economical value.

1DERFUL™ ZIRCONIA FAMILY

Strength

Product	HS High Strength	HT High Translucent	SHT Super High Translucent	UHT Ultra High Translucent	MT Multi Translucent Strength Layers / 6
Translucency	38%	43%	45%	49%	43-49%
Strength	1350 Mpa	1100 Mpa	1000 Mpa	600 Mpa	1100 Mpa (Incisal) 600 Mpa (Dentin)
Spicemen					
Colors / Shades	White	White. 16 Shades (A1-D4) 4 Bleaches	White. 16 Shades (A1-D4) 4 Bleaches	White. 16 Shades (A1-D4) 4 Bleaches	White. 16 Shades (A1-D4) 4 Bleaches
Shapes	98,95, 71	98,95, 71	98,95, 71	98,95, 71	98,95, 71
Sizes / Thickness	10-25 mm	10-25 mm	10-25 mm	10-25 mm	12-20 mm *customized size available

Translucency



HIGH STRENGTH ZIRCONIA

Shaded
WT



HIGH TRANSLUCENT ZIRCONIA

Shaded
WT



SUPER HIGH TRANSLUCENT ZIRCONIA

Shaded
WT



ULTRA TRANSLUCENT ZIRCONIA

Shaded
WT



MULTI TRANSLUCENT ZIRCONIA

Dimensions
Ø 98 X 12

Shaded
WT

1DERFUL™



1DERFUL™ HS WHITE

High Strength White Disc



Shapes / sizes

Ø: 98, 95, 71
10-25 mm



Flexural Strength

1350 Mpa



Translucency

38%



Powder Type

3Y



Features:

- Single tooth to full arch framework due to high bending strength of 1350 Mpa.
- Excellent milling properties.
- Accuracy of fit and edge stability.
- Customizable; easy to apply your coloring.

HS

Preferable Sintering Program

Step	Temperature C	Time (min)
1	RT-300	30
2	300-1000	60
3	1000-1500	90
4	1500-1500	120
5	1500-700	120
6	Natural cooling	

Chemical Composition %

ZrO2+HfO2+Y2O3	≥ 99
Y2O3	4.5- 5.5
Hfo2	≤5
Al2O3	≤ 0.5
Other oxides	≤ 1

1DERFUL™ HT PRESHADED

High Translucent Preshaded Disc



Shapes / sizes

Ø: 98, 95, 71
10-25 mm



Flexural Strength

1100 Mpa



Translucency

43%



Powder Type

3Y

HT



Features:

- Suitable for full crown and bridges.
- Natural looking for monolithic restorations.
- Cost efficient no dipping or drying needed.
- Available in 16 shades and 4 bleaches.



Preferable Sintering Program

Step	Temperature C	Time (min)
1	RT-300	30
2	300-1000	60
3	1000-1500	90
4	1500-1500	120
5	1500-700	120
6	Natural cooling	

Chemical Composition %

ZrO ₂ +HfO ₂ +Y ₂ O ₃	≥ 99
Y ₂ O ₃	5.5-6
Hfo ₂	≤5
Al ₂ O ₃	≤ 0.5
Other oxides	≤ 1

1DERFUL™ HT WHITE

High Translucent White Disc



Shapes / sizes

Ø: 98, 95, 71
10-25 mm



Flexural Strength

1100 Mpa



Translucency

43%



Powder Type

3Y



Features:

- Suitable for full crown and bridges. Natural looking for monolithic restorations.
- Cost efficient.
- Easy to apply your coloring.

HT

Preferable Sintering Program

Step	Temperature C	Time (min)
1	RT-300	30
2	300-1000	60
3	1000-1500	90
4	1500-1500	120
5	1500-700	120
6	Natural cooling	

Chemical Composition %

ZrO ₂ +HfO ₂ +Y ₂ O ₃	≥ 99
Y ₂ O ₃	5.7-6.5
HfO ₂	≤5
Al ₂ O ₃	≤ 0.5
Other oxides	≤ 1

1DERFUL™ SHT PRESHADED

Super High Translucent Preshaded Disc



Shapes / sizes

Ø: 98, 95, 71
10-25 mm

Flexural Strength

1000 Mpa

Translucency

45%

Powder Type

4Y

SHT



Features:

- Suitable for anterior and long span bridges.
- Great balance of translucency and strength.
- Quick and cost effective for natural-looking restorations.
- Easy milling, single color of 16 shades and 4 bleaches.



Preferable Sintering Program

Step	Temperature C	Time (min)
1	RT-300	30
2	300-1000	60
3	1000-1450	60
4	1450-1450	120
5	1450-700	120
6	Natural cooling	

Chemical Composition %

ZrO ₂ +HfO ₂ +Y ₂ O ₃	≥ 99
Y ₂ O ₃	6-7
HfO ₂	≤5
Al ₂ O ₃	≤ 0.5
Other oxides	≤ 1

1DERFUL™ SHT WHITE

Super High Translucent White Disc



Shapes / sizes

Ø: 98, 95, 71
10-25 mm



Flexural Strength

1000 Mpa



Translucency

45%



Powder Type

4Y

SHT



Features:

- Suitable for anterior and long-span bridges.
- Great balance of translucency and strength.
- Quick and cost-effective for all restorations.
- Easy coloring in any shade desired.

Preferable Sintering Program

Step	Temperature C	Time (min)
1	RT-300	30
2	300-1000	60
3	1000-1450	60
4	1450-1450	120
5	1450-700	120
6	Natural cooling	

Chemical Composition %

ZrO ₂ +HfO ₂ +Y ₂ O ₃	≥ 99
Y ₂ O ₃	6.75-7.25
HfO ₂	≤5
Al ₂ O ₃	≤ 0.5
Other oxides	≤ 1

1DERFUL™ ULTRA PRESHADED

Ultra Translucency Preshaded Disc



Shapes / sizes

Ø: 98, 95, 71
10-25 mm



Flexural Strength

49%



Translucency Powder Type

600 Mpa



Powder Type

5Y

ULTRA



Features:

- The high translucency gives a high aesthetic level for the best natural look.
- Suitable for anterior crowns and bridges up to 3 units, and veneers.
- Simpler and quicker to the mill.
- Available in 16 shades and 4 bleaches.



Preferable Sintering Program

Step	Temperature C	Time (min)
1	RT-300	30
2	300-1000	90
3	1000-1250	125
4	1250-1450	60
5	1450-700	120
6	Natural cooling	

Chemical Composition %

ZrO ₂ +HfO ₂ +Y ₂ O ₃	≥ 99
Y ₂ O ₃	8.5-9.5
Hfo ₂	≤5
Al ₂ O ₃	≤ 0.5
Other oxides	≤ 1

1DERFUL™ ULTRA WHITE

Ultra Translucency White Disc



Shapes / sizes

Ø: 98, 95, 71
10-25 mm



Flexural Strength

600 Mpa



Translucency

49%



Powder Type

5Y

ULTRA



Features:

- The high translucency gives a high aesthetic level for the best natural look.
- Suitable for anterior crowns and bridges up to 3 units, and veneers.
- Simpler and quicker to the mill.
- Flexible coloring.

Preferable Sintering Program

Step	Temperature C	Time (min)
1	RT-300	30
2	300-1000	90
3	1000-1250	125
4	1250-1450	60
5	1450-700	120
6	Natural cooling	

Chemical Composition %

ZrO ₂ +HfO ₂ +Y ₂ O ₃	≥ 99
Y ₂ O ₃	9.15-9.55
HfO ₂	≤ 5
Al ₂ O ₃	≤ 0.5
Other oxides	≤ 1

1DERFUL™ MT PRESHADED

MULTI (TRANSLUCENT/STRENGTH/LAYERS) Disc



Shapes / sizes

Ø: 98, 95, 71
10-25 mm

Flexural Strength

1100-600 Mpa.

Translucency

43-49%

Powder Type

3Y-4Y-5Y

MT



Features:

- All in one disc, one-stop shop.
- Color, translucency, and strength graduation are the best match for a natural look.
- A wide range of indications can be applied due to its flexural strength.
- Available in 16 shades and 4 bleaches.
-



Preferable Sintering Program

Step	Temperature C	Time (min)
1	RT-300	30
2	300-1000	90
3	1000-1250	125
4	1250-1450	60
5	1450-700	120
6	Natural cooling	

Chemical Composition %

ZrO ₂ +HfO ₂ +Y ₂ O ₃	≥ 99
Y ₂ O ₃	8.5-9.5
HfO ₂	≤ 5
Al ₂ O ₃	≤ 0.5
Other oxides	≤ 1

1DERFUL™ MT WHITE

MULTI (TRANSLUCENT/STRENGTH/LAYERS) White Disc



Shapes / sizes

Ø: 98, 95, 71
10-25 mm



Flexural Strength

1100-600 Mpa.



Translucency

43-49%



Powder Type

3Y-4Y-5Y



Features:

- All in one disc, one-stop shop.
- Color, translucency, and strength graduation are the best match for a natural look.
- A wide range of indications can be applied due to its flexural strength.
- Available in white to apply your desired color.

MT

Preferable Sintering Program

Step	Temperature (°C)	Time (min)
1	RT-300	30
2	300-1000	90
3	1000-1250	125
4	1250-1450	60
5	1450-700	120
6	Natural cooling	

Chemical Composition %

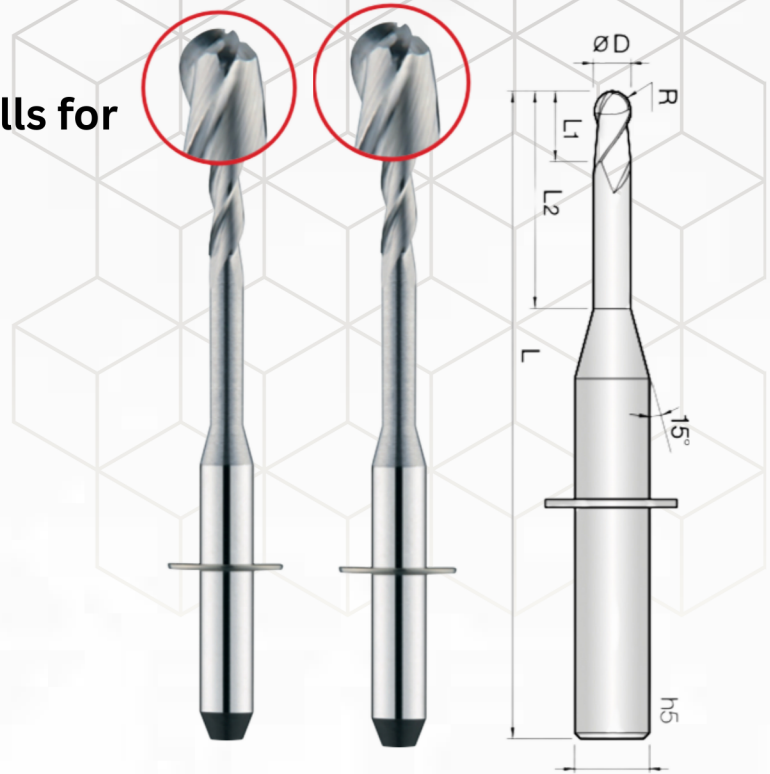
ZrO ₂ +HfO ₂ +Y ₂ O ₃	≥ 99
Y ₂ O ₃	8.5-9.5
HfO ₂	≤ 5
Al ₂ O ₃	≤ 0.5
Other oxides	≤ 1

CAD / CAM BURS

WILLAND TYPES

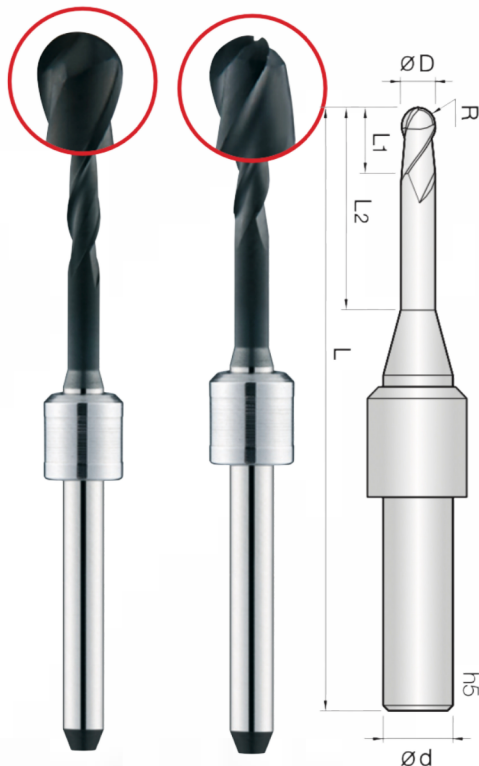
2 & 3 Flutes Rib Ball End Mills for Zirconia

- End mills for zirconia.
- Ultimate.
- Non ferrous.
- Non metallic materials.
- Compatible Machines:
Willand Mini.



2 & 3 Flutes Diamond Coated Ball End Mill for Zirconia

- End mills for zirconia.
- Ultimate.
- Non ferrous.
- Non metallic materials.
- Compatible Machines:
Willand Select.

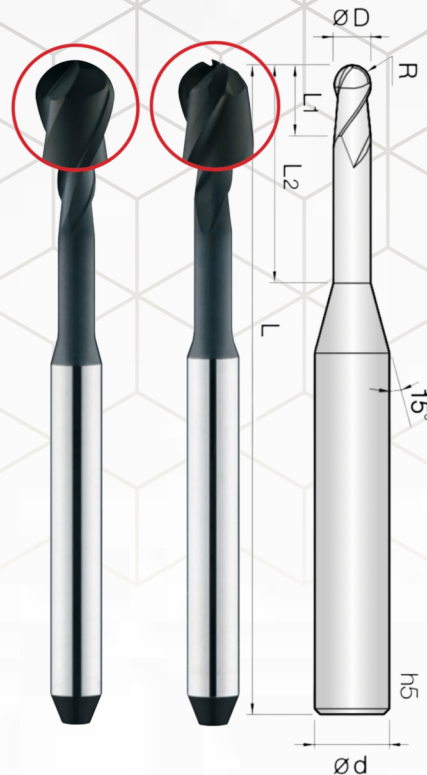


CAD / CAM BURS

ROLAND TYPES

2 & 3 Flutes Diamond Coated Ball End Mill for Zirconia

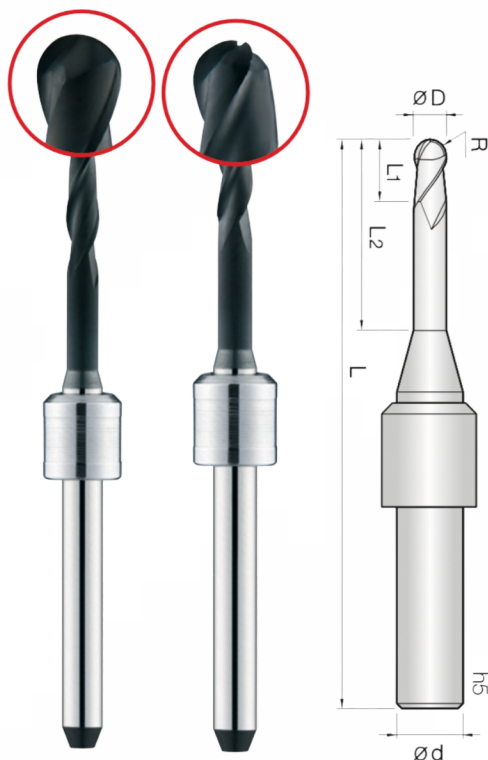
- End mills for zirconia.
- Ultimate.
- Non ferrous.
- Non metallic materials.
- Compatible Machines:
DWX 50, DWX 30, DWX51D



AMMAN TYPES

2 & 3 Flutes Diamond Coated Ball End Mill for Zirconia

- End mills for zirconia.
- Ultimate.
- Non ferrous.
- Non metallic materials.
- Compatible Machines:
AMMAN



OUR POLICY

PLACING ORDER:

- Minimum order \$10,000.
- 40% down payment upon confirming Pro-forma Invoice.
- 60% before delivery in two weeks.
- All payments are in USD \$ currency to be wired to SKY DENT Corp. in Bank of America - USA.

You can order via:

- website: www.SKYDENT.com
- Tel: +1 346-331-7009
- E-mail: info@skydent.com

PRICING:

- Quoted prices are in USD \$ and Ex-works.
- Delivery within 8-12 weeks after confirming the Pro-forma
- VAT at the current rate will be added to all invoices except for export orders.
- SKY DENT Corp. reserves the right to change the prices without prior notice.
- Payment is strictly net 30 days following the date of the confirmed Pro-forma invoice.
- SKY DENT Corp. reserves the right to correct any slip unintended or errors in the price list.
- SKY DENT Corp. retains ownership of the goods until they are paid for in full.

RETURNING POLICY:

- SKY DENT Corp. warrants all materials to be free from defects.
- Products must be returned within 30 days from the date of purchase and must be returned in original packaging and salable condition.
- SKY DENT Corp. reserves the right to a final determination as to the acceptance of the product for exchange or credit. restock fees may apply.
- Before the return of any merchandise, please contact SKY DENT Corp. customer service for a return authorization form.

SHIPPING:

- All domestic and international orders are shipped via express courier unless a specific carrier is preferred and approved before ordering. Alternate shipping services are available including overnight shipping.
- Please call for more information.



Contact us:

- Tel: +1 346-331-7009
- E-mail: info@skydent.com
- Website : www.SKYDENT.com

1DERFULTM
DENTAL ZIRCONIA DISCS CATALOGUE



1DERFUL™

SKY DENT Corp.
280 Madison Ave. #912
Manhattan, New York,
10016. USA.
Tel: +1 346-331-7009
www.SKYDENT.com